

KFM™ LED

Heavy-duty Round Lens LED Magnifier



Designed for cosmetology, salons & spas.

LUXO

KFM™ LED

KFM LED produces double the light output of traditional KFM models. A heavy-duty, all-metal construction with sleek design, adjustable arm and excellent light output make the KFM suitable for a variety of applications. No knobs to tighten, nothing to adjust. The quality and positioning of the LEDs across two semi-circular modules allow for virtually shadow-free illumination and excellent color rendering.

Exact Positioning

KFM LED has a highly flexible, self-balancing lamp head allowing it to be positioned vertically, horizontally and laterally. The fully enclosed neck and spring-balanced arm make the KFM LED ideal for environments where cleanliness and sanitation are sought.

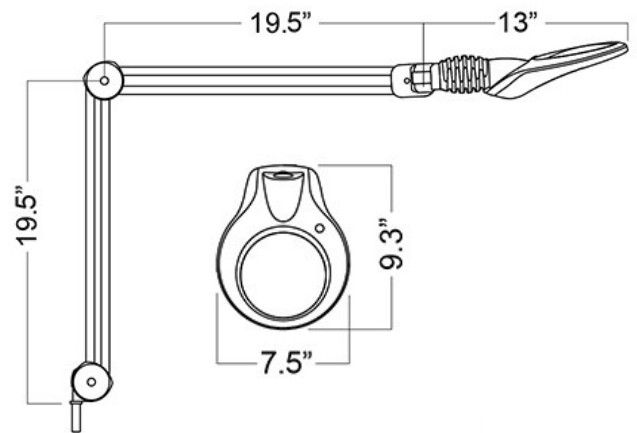
Choose from a 3-diopter lens (KFL026274) or a 5-diopter glass lens (KFL026026), both with edge clamp. For additional magnification, a secondary STAYS lens of 4-, 6-, or 10-diopters can be attached to the glass lens.

Color: White, with black details.



Light Source	3000 Lux @ 13" focal length Total Energy Consumption: 11W Color rendering index (CRI): 80 CCT: 4000K Timer and dimming: 1-100%; 9/4 hour auto shut-off
Body Material	Steel arm with aluminum head Shade neck cover in rubber Color: white with black accents
Mounting	Standard with edge clamp mount
Optics	Standard with 3-(1.75X) or 5-diopter (2.25X) white crown, optical-quality, glass lens Lens diameter is 5" Secondary lenses: optional 4-, 6- or 10-diopter STAYS lens can be attached to the magnifier lens
Arm Technology	Heavy-duty internal-spring 45" parallel, three-pivot K-arm

Part #	Old Part #	Description
KFL026274	18113WT	KFM LED, 3-diopter, 45"
KFL026026	18115WT	KFM LED, 5-diopter, 45"



~ 5 YEAR WARRANTY ~



UNITRON® North American Distributor of Luxo Industrial Products

73 Mall Drive, Commack, NY 11725 • 631-543-2000 (P) • 631-589-6975 (F)
unitronusa.com • luxo@unitronusa.com